

BATTERY POWERED

*speedrite*TM
by TRU-TEST®

Battery Powered Energizer
Installation Instructions



VIPERTM

1000

WARNING: Do not connect to mains operated equipment.

Build new fence (if required)

To optimise your new energizer's performance, ensure that your fence system is of a high standard, using high quality Speedrite accessory products where appropriate. Complete fence building instructions are contained in the Speedrite Fence Manual available from your Speedrite dealer.

Earthing/Grounding

For optimum performance of your energizer a suitable earth/ground system must be installed at least 10m (33ft) from other earth/ground systems (ie. telephone/mains power). A galvanised metal rod driven into the ground 2m (6.5ft) will provide adequate earthing. Under poor earthing conditions (ie. dry or sandy soil) more rods may be necessary.

Total recommended minimum earth/ground length	
Energizer Model	Number of 2m (6.5ft) rods
Viper 1000	1

Energizer Connection

Connect the energizer to the fence using one of these options;

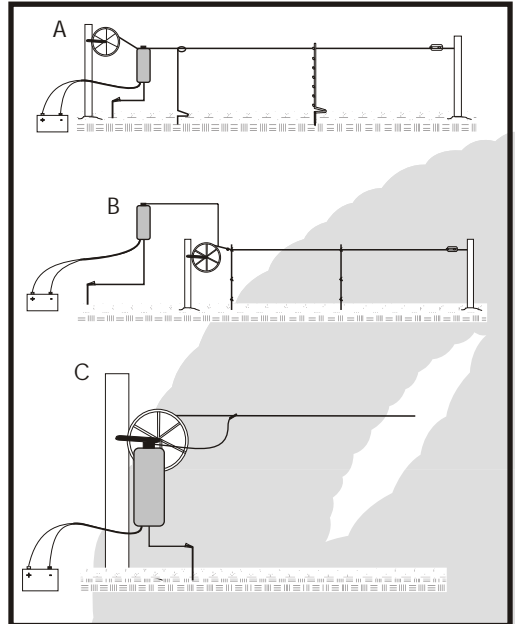
Option A Simply depress the spring clip and hook directly onto fence wire.

Option B Connect the energizer to the fence wire using the yellow output lead.

Option C Hook the energizer onto the metal bracket of the fence reel then connect the energizer to the fence as with Option B.

Connect the energizer's earth clip to the earth rod.

Energizer connection Options



Connect battery

Connect the red clip to the positive (+ve) battery terminal and the black clip to the negative (-ve) terminal.

A 12V (100 Ahr) wet cell deep cycle battery is recommended for best performance from your energizer, however any 12V wet cell (eg. car or tractor) battery or dry cell battery can be used.

Note: To avoid damage to your energizer from wet cell batteries ensure that the energizer is approximately 1m (3ft) away from and not directly above, the battery.

Battery Life Guide - for 80% discharge of battery

Energizer Model	100 Ahr battery		60 Ahr battery	
	Fast Pulse	Slow Pulse	Fast Pulse	Slow Pulse
Viper 1000	30 days	60 days	18 days	35 days

Battery care

To optimise the expected total life of your battery:

- Avoid complete discharging (100% discharge) of your battery.
- If a battery is accidentally discharged completely, recharge it as soon as possible.
- Batteries should be charged prior to storage then recharged at regular intervals (every 8 weeks) during storage.
- Avoid high temperatures $> 50^{\circ}\text{C}$ (120°F) and keep naked flames and sparks away from battery when recharging. The battery should not be placed directly underneath the energizer.
- Check battery electrolyte level at every recharge and refill, preferably with deionized, distilled or rain water.

Operation of the energizer

Turn the pulse speed switch to Slow (approx 2 seconds/pulse) or Fast (approx 1.2 seconds per pulse) as desired.

Hint: Use Fast setting for training animals that have not experienced electric fences before or for feral animal fences. Use Slow for normal running to conserve battery power.

The "Pulse" light will flash with each pulse, indicating the speed.

Solar instructions

Install the energizer on the underside of the Speedrite Solar Panel - full instructions are provided with the Solar Kit.

Note: Do not power the energizer directly from a solar panel without using a 12V external battery.

Please save these instructions

Safety Points and Regulations

All energizers must comply with local standard requirements. These requirements may vary from country to country.

In areas prone to bush fires there may be a risk of fire caused by sparking from the fence. In high risk situations, if available, the Fence Low Output should be used, or the energizer should be turned off.

Barbed Wire should never be used for electric fencing.

Energizers should, if possible be installed inside a building in a position free from the risk of mechanical damage. If mounted outdoors they should be mounted on a substantial structure in a position free from risk of mechanical damage.

Avoid erecting a fence which runs parallel to or under power lines. Where this is unavoidable the crossing should be underneath the power lines and as near as possible at right angles to the lines.

If an electric fence has to be installed in the vicinity of an overhead power line, the vertical distance between any fence wire or connecting lead and the surface of the earth should not exceed 2m.

Fence wiring should be installed so that it is well away from any telephone/telegraph line or radio aerial.

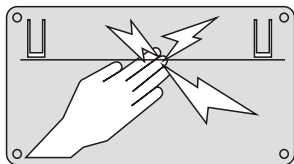
Each energizer should be connected to its own earth system and this should not be connected to any other earth system.

Do not connect more than one energizer to a single electric fence.

Do not connect the energizer simultaneously to a fence and to any other device such as a cattle trainer or poultry trainer, otherwise lightning striking your fence will be conducted to all other devices.

When an electric fence is installed where it might reasonably be expected to be touched by the public then warning signs must be attached. The warning sign must be at least 200mm x 100mm (8" x 4") in size and should be attached at intervals not exceeding 90m (295ft).

The sign should display the symbol below or the words "Electric Fence".



The inscription should be indelible and any lettering should have a height of at least 35mm (1 1/3"). It is recommended that the basic colour of the sign be yellow with black inscription.

(SA046)

When the energizer is used to supply a system of conductors used for deterring birds from roosting on buildings, no conductor should be connected to earth. A switch should be installed to provide means of isolating the energizer from all poles of the supply and clear warning signs should be fitted at every point where a person may have ready access to the conductors. The notice should bear the words "LIVE WIRES" in block letters not less than 13mm (1/2") high, the letters should be red on a white background and the size of each notice should be not less than 62mm x 50mm (2 1/2" x 2") overall.



Tru-Test Ltd

P.O.Box 1910

Palmerston North, New Zealand

Phone + 64 6 354 5374 Fax + 64 6 356 4763

<http://www.trutest.co.nz>